

EPM-400

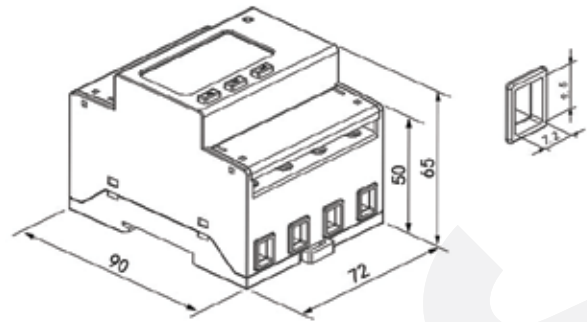
Power Meter

EPITHOS

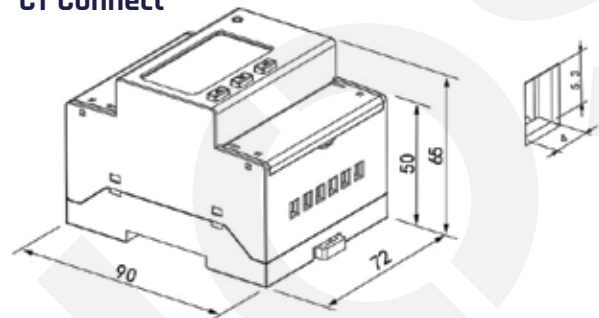
Optimizing Industry



Direct Connect



CT Connect



Phases	Specification	3 phase 3 wires, 3 phase 4 wires
Voltage	Reference Voltage	3×100、 3×380V、 3×57.7/100V、 3×220/380V
	Consumption	<10VA(Single phase)
	Impedance	>2MΩ
	Accuracy Class	Error±0.2%
Current	Input Current	3×1(6)A, 3×10(80)A
	Consumption	<1VASingle phase rated current)
	Accuracy Class	Error±0.2%
Measurement	Power	Active, reactive, apparent power, error±0.5c/o
	Frequency	45-65Hz, Error±0.2%
	Energy	Active energy(Accuracy class:0.5, 1) reactive energy(Accuracy class 2)
	Clock	≤0.5s/d
Digital Signal	Energy Pulse Output	1 active photocoupler output
Pulse	Width of Pulse	80±20ms
	Pulse Constant	1000imp/kWh,10000imp/kWh (Correspond with the basic current)
Communication	Interface & Communication	RS485 □:Modbus RTU
	Range of Communication	Modbus RTU:1- 247;
	Baud rate	1200bps-19200bps
	Relative temperature	-25°C~+55°C
	Relative humidity	≤95c/o(No condensation)



CONTACT US
www.epithos.com

 epithos.iot

 epithos