

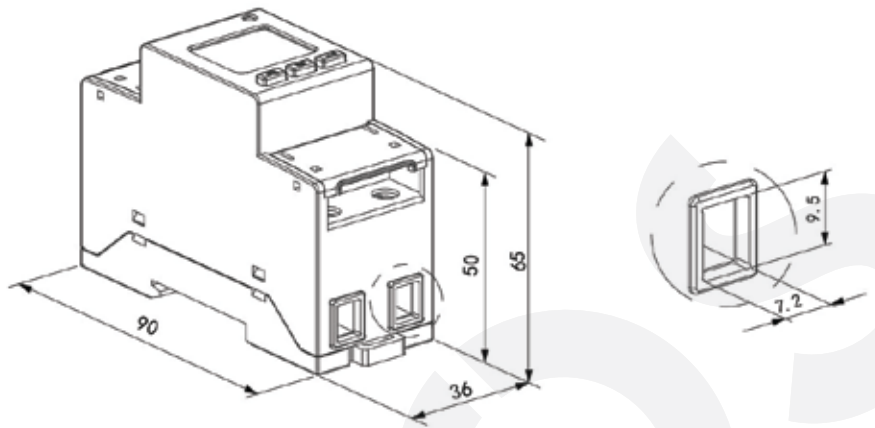
EPM-200 Power Meter

EPITHOS

Optimizing Industry



Device Dimension



Phases	Specification	Single Pahse
Voltage	Reference Voltage	3×100、 3×380V、 3×57.7/100V、 3×220/380V
	Reference Frequency	<10VA(Single phase)
	Power Consumption	>2MΩ
	Basic Current	Error±0.2%
Current	Maximum Current	3×1(6)A, 3×10(80)A
	Starting Current	<1VASingle phase rated current)
	Consumption	Error±0.2%
Measurement	Accuracy	Active, reactive, apparent power, error±0.5c/o
	Range	45~65Hz, Error±0.2%
	Clock	Active energy(Accuracy class:0.5, 1) reactive energy(Accuracy class 2)
Pulse	Pulse Width	≤0.5s/d
	Pulse Constant	1 active photocoupler output
Communication	Interface	80±20ms
	Connection Mode	1000imp/kWh,10000imp/kWh (Correspond with the basic current)
	Protocol	RS485 □:Modbus RTU
Outline	Length × Width × Height	Modbus RTU:1~ 247;
	Work Temperature	1200bps~19200bps
Condition	Storage Temperature	-25°C~+55°C
	Relative Humidity	-25°C~+55°C



CONTACT US
www.epithos.com

 epithos.iot

 epithos

