



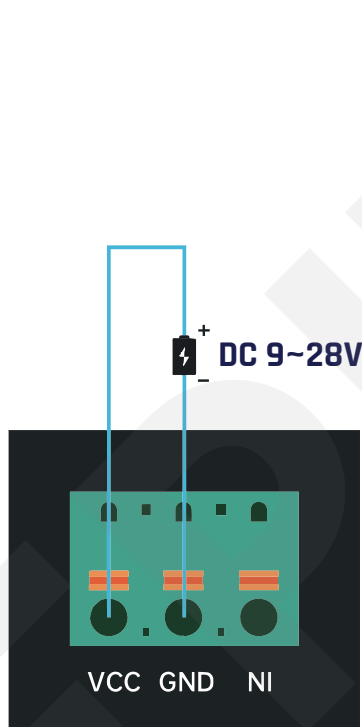
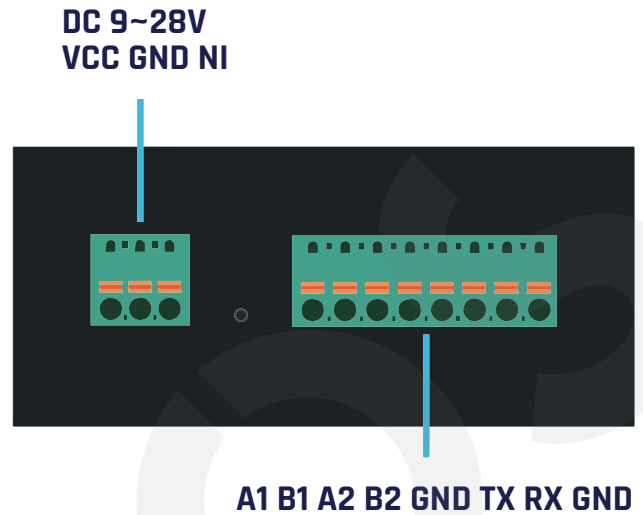
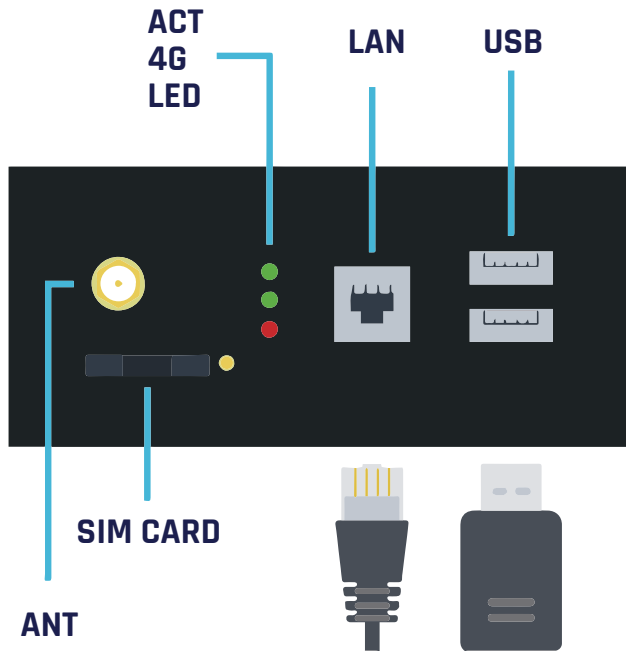
IIoT Gateway EPG-001 SPECIFICATIONS:

Hardware	CPU	ARM Cortex-A7	
	Storage	512M + 8G	
	RTC	Real Time Clock	
	Wireless	Cellular	
		LTE Cat4	
	LAN	1 x 100/M Support DHCP Server	
	USB	2 x USB	
	RS485	2 x RS485	
	RS232	1 x RS232	
LED	Support DO/DI status indication (Customizable)		
Electrical Parameters	Rated Voltage	DC12V, DC9~28V (Working Range)	
	Rated Power	5W	
	Power Protection	Anti-Static, Anti-Surge, Anti-Reverse	
	Certification	CE / ROHS	
Environmental Parameters	Operating Temperature	-20 ~80 °C	
	Storage Temperature	-20 ~85 °C	
	Environment Humidity	10-90%RH (Non-Condensing)	
	Cooling Method	Heat Sink / Dissipation Silicone	
Mechanical Parameters	Size	118x90 x 35 mm	
	Weight	<1kg	
	Material	Zinc Alloy	
Software Parameters	Ops	Support remote configuration/Upgrade/Management	
	VPN	Support intranet penetration Support PLC remote upload and download (Network Port)	
	Edge Computing	Support drag and drop programming Support zero-code development Support JavaScript development	
	Data Storage	Support TSDB (Time Series Databases)	
	Industrial Agreement	Support multiple industrial protocols	
	Network Protocol	MQTT / HTTP / TCP / UDP / WEBSOCKET	

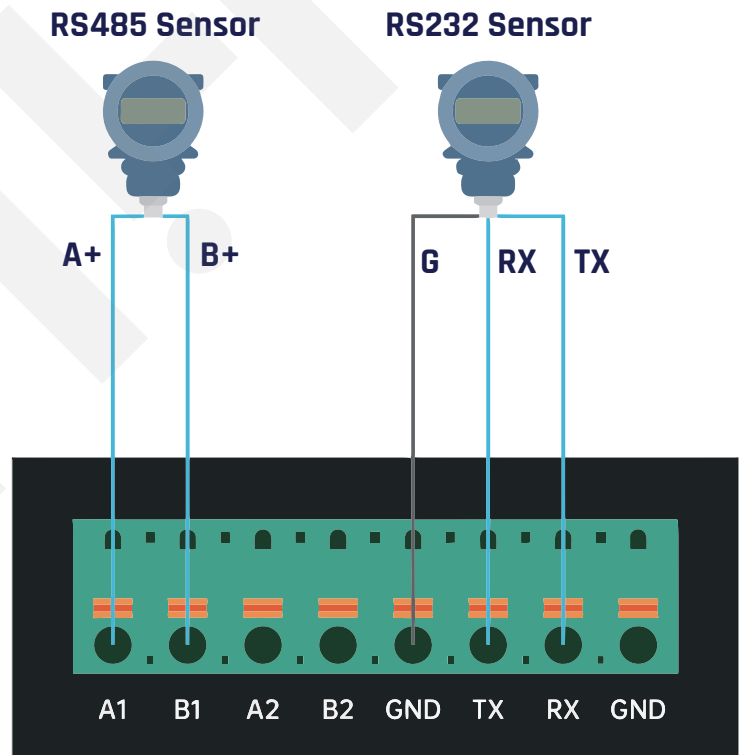


IIoT Gateway EPG-001

SPECIFICATIONS:



Power Wiring Diagram



RS485/232 Wiring Diagram



CONTACT US
www.epithos.com

[epithos.iot](https://www.facebook.com/epithos.iot)

[epithos](https://line.me/tv/p/epithos)